



zeus **Burnishing Tool**



So that
everything
runs smoothly!



Added values

- Highest quality surface finishes ($R_z < 1$)
- Simple handling and ease of operation
- No additional equipment required
- Compact design for machines with limited work space
- Adjustable counter-pressure (depending on the material being worked on)
- Tolerance compensation from suspension
- Easy to change the diamond tip, without changing the tool's basic settings
- Integrated centre height (top edge of the shaft)
- Cost effective
- Suitable for all common machine types (swiss type autolathes, CNC and conventional turning lathes)
- Possible to process hardened and high-strength materials

Your benefits

- Fast, efficient and cost-effective burnishing
- Suitable for hardened steels and high-strength materials
- Also suitable for small geometrics
- One tool can be used for different burnishing applications
- Ideal for all series sizes, including for prototypes
- Adaptable to different shaft sizes (delivered as a set)
- Standard program of burnishing tips to choose from

Application

The zeus burnishing tool is an all-rounder for all classic applications when burnishing surfaces – whether on cylindrical, conical, convex or concave surfaces. It is also possible to work on plane surfaces.



Burnishing Tool SET 510



Features

- Fixed tool head
- Can be adjusted up to $\pm 10^\circ$ thanks to integrated setting options in the shaft
- To burnish ripples with cylindrical surfaces – limited cones and radii

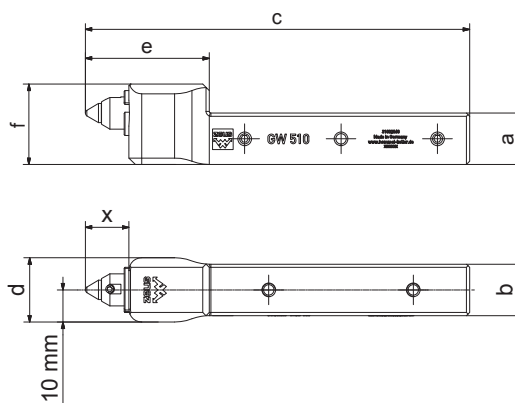
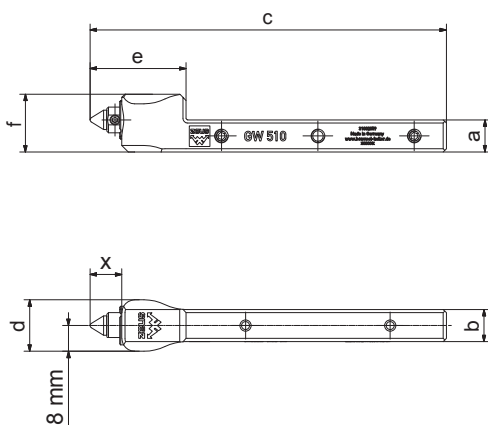
Recommendations

- Burnishing speed up to 200 m/min
- Feed rate up to 0.2 mm/U
- Workpiece measurement of 0.01 mm ($\sim R_z 10$) and 0.02 mm ($\sim R_z 20$)
- It is recommended to use a cooling lubricant

TOOL VERSIONS

Order No.	Tool holder designation	Basic shaft [mm]	Dimensions [mm]							Including shaft adapter [mm]
			a	b	c	d	e	f	x	
31002859	510-10U	10 x 10	10	10	110	16	30	18	9	12 x 12
										16 x 16
31002860	510-16U	16 x 16	16	16	119.5	20	39	25	13.5	20 x 20
										25 x 25

Sets delivered without diamond tip



DIAMOND TIP VERSIONS

Order No.	Tip radii [mm]
06TGW0008	0.4
06TGW0009	0.6
06TGW0010	0.8
06TGW0011	1.0



Burnishing Tool SET 520



Features

- Tool head is variably adjustable
- Tool with universal application
- Swivel range $\pm 90^\circ$
- Thanks to the adjustability of the tool head, it is possible to burnish plane surfaces, conical, convex and concave geometries
- Application up to a shoulder

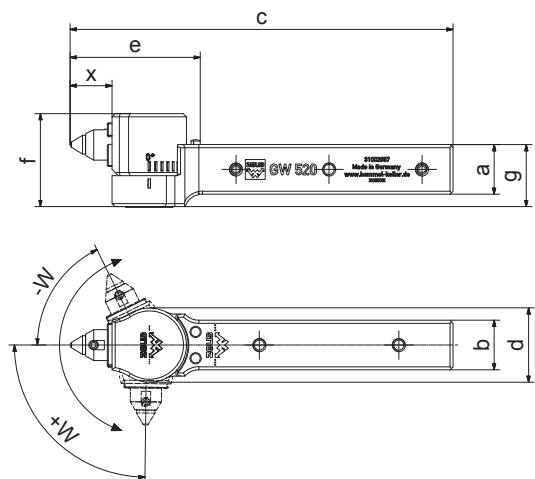
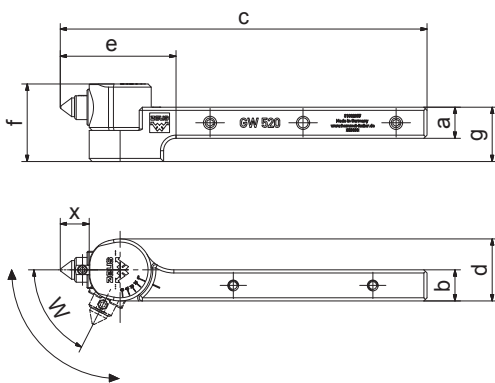
Recommendations

- Burnishing speed up to 200 m/min
- Feed rate up to 0.2 mm/U
- Workpiece measurement from 0.01 mm (~Rz 10) and 0.02 mm (~Rz 20)
- It is recommended to use a cooling lubricant

TOOL VERSIONS

Order No.	Tool holder designation	Basic shaft [mm]	Dimensions [mm]								Angle [°]		Including shaft adapter [mm]
			a	b	c	d	e	f	g	x	+w	-w	
31002893	520-10R	10 x 10	10	10	118.5	20	36	25	17.5	9	90	-	12 x 12 16 x 16
31002857	520-16U	16 x 16	16	16	123.5	24	42	30	20	13.5	90	90	20 x 20 25 x 25

Sets delivered without diamond tip



DIAMOND TIP VERSIONS

Order No.	Tip radii [mm]
06TGW0008	0.4
06TGW0009	0.6
06TGW0010	0.8
06TGW0011	1.0





**zeus – a brand name of
Hommel+Keller**



PRÄZISIONSWERKZEUGE

Hommel+Keller

Präzisionswerkzeuge GmbH

78554 Aldingen · Germany

Tel. +49 7424 9705-0

info@hommel-keller.de

www.hommel-keller.de